

Welcome to a  
new dimension  
in peace of mind.

HOW TO OPERATE YOUR  
**SD-200**  
SECURITY SYSTEM



 **SECURITY  
DIMENSIONS**

# **INTRODUCTION**

---

Congratulations on your decision to protect your home or business with the Security Dimensions SD-200 series security system. You have chosen a reliable, state of the art security system that is remarkably easy to operate. Your system has been professionally installed by your local Security Company who can explain the specifics of your system within your location.

The keypad is the arming station for your security system. These are available keypads for your system:

**SK-406** Keypad with a plastic case and with indicator lights to show the status of each of the zones.

**SK-4LC** Keypad with a plastic case and a two line LCD (liquid crystal display) with a two line readout.

**XL4600RM** Metal plate keypad containing indicator lights for each of the 6 zones (areas of protection). This keypad can be flush mounted into your wall or surface mounted in a back box.

**XL 4600SM** A surface mount keypad with 6 LEDs for monitoring zone status. The keys used to operate the system are located behind the door.

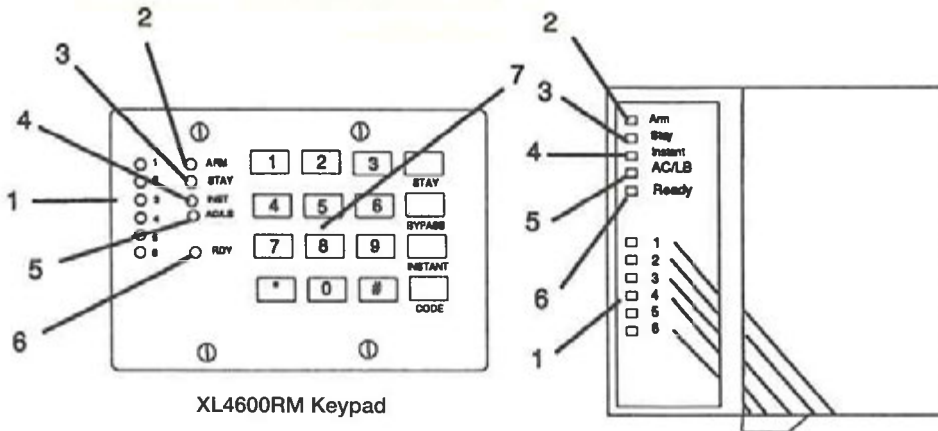
Please identify the keypad(s) present on your system from the diagrams shown in the sections that follow.

The SD-200 is the Residential version of the which has been Listed by Underwriters Laboratories for Household Fire and Burglary applications.

The model SD-200B is the Commercial Burglary configuration of the control panel and has been Listed by Underwriters Laboratories for Commercial Burglary.

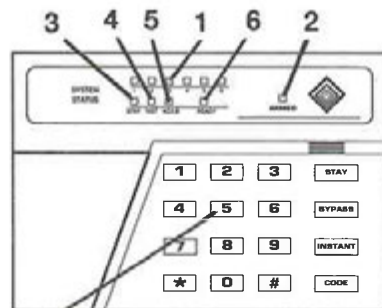
# 1. KEYPAD LAYOUT

The keypad is the arming station for the security system. Four different versions are available: a metal plate flush mounted version (XL4600RM), plastic cased surface mount versions (XL4600SM or SK-406), and an LCD (SK-4LC liquid crystal display) version containing a two line readout. The keypads have the following appearance and contain the following items:

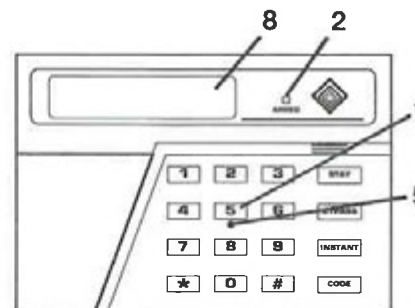


XL4600RM Keypad

XL4600SM Keypad



SK-406



SK-4LC

**1) ZONE STATUS INDICATORS** - displays zone status as follows:

ALARM:	Fast Blink,
BYPASS:	Low Blink/Low Intensity,
TROUBLE:	Slow Pulse
NOT READY:	Solid On

**2) ARM/DISARM INDICATOR** Indicates system is armed or disarmed.

**3) STAY-** Indicates the system is armed with the interior zones bypassed.

## 2. ARMING THE SYSTEM

ARMING the system activates the Security System. Arming can only be performed if all zones are READY. For example, if a protected door is open, the system cannot be armed.

### SYSTEM READY

The system is ready to be armed if the READY indicator light is ON.

On LCD keypads the following display will appear:

SYSTEM READY

If the system is ready, ARMING can be performed as follows;

### ARMING PROCEDURE:

Enter your four digit user code into the keypad: [USER]

The ARMED indicator light will now be lit and if you are leaving the home you may exit through a door designated by your installer as an exit/entry zone for a fixed time period known as the exit delay.

Entry/exit times: ENTRY: \_\_\_\_\_ EXIT: \_\_\_\_\_ seconds

LCD keypads will display the following message;

ON AWAY .....

NOTE: The system can be armed without the backup battery being connected.

### SYSTEM NOT READY

If the system is not ready to be armed the READY indicator will be OFF. On LED based keypads the zone indicator lights will display the zones which are currently not ready. The condition of each zone indicator reflects what the status of each zone as follows:

ALARM:	Fast blinking.
BYPASS:	Slow blinking low intensity.
TROUBLE:	Slow pulse
NOT READY:	Solid ON

## IF ALARMS HAVE TAKEN PLACE

If alarms or other conditions such as system troubles have taken place since the initial system arming, they will appear on the display. The conditions that have occurred appear in the zone display section of the keypad. LCD keypads will reflect the current system status through the indicator lights as follows;

ALARM	Fast blinking.
BYPASS	Slow blinking low intensity.
TROUBLE	Slow pulse
NOT READY	Solid ON

Burglary alarms will be indicated with a STEADY sound through the keypad while FIRE alarms will generate a pulsing sound.

LCD keypads will show the alarm conditions with a display as follows:

```
ALARM   ZN 01
FRONT DOOR
```

This display shows the zones in alarm. After entry of your four digit user code the following display will appear:

```
ALARM MEM   ZN 01
FRONT DOOR
```

**IMPORTANT:** If an intrusion has taken place while you were away, do not enter until the location has been secured!!!. Call for help from a neighbor's house. Wait for the police!

- To clear the display of the alarm or trouble conditions and silence the audible signal enter [USER] again.

## 4. STAY

The STAY mode is another way to ARM your system while you remain in the location. The STAY mode will deactivate any interior protection zones which means that you will be free to walk throughout your location without activating the alarm system.

In order to enter the STAY mode, the system must be READY. (see previous description).

## **6. INSTANT - STAY**

---

In the INSTANT STAY mode, the system is armed, the interior portions bypassed, and entry delay is suspended. The system must be READY to enter this mode.

### **INSTANT-STAY PROCEDURE:**

**INSTANT STAY [USER] or STAY INSTANT [USER]**

Depress the INSTANT and STAY keys and then your user code. After a successful INSTANT STAY arming the ARMED indicator will be lit. In addition, on LED keypads both the INSTANT and STAY lights will be on.

LCD keypads will contain the following message;

ON:STAY INSTANT

## **7. BYPASS**

---

Bypasses are performed to eliminate burglary zones that are not ready or faulty from activating the security system.

### **BYPASS PROCEDURE:**

**BYPASS [USER] ZN**

Depress the BYPASS key. Enter your user code and zone number (1-6) to be bypassed.

Example: BYPASS [USER] 2 bypasses zone 2

**NOTE:** Zones that are BYPASSED are NOT protected when the system is armed.

If the zone has already been bypassed, the sequence will unbypass the zone except if the system is armed and the unbypassed zone is still not ready. Unbypass means that the zone returns as an active burglary zone. After the bypass (or unbypass) command has been accepted the unit will emit a continuous beep and zones that have been bypassed will appear in a slow blinking mode in the zone status area on LED keypads. LCD keypads will display the zone bypasses as a secondary display after the SYSTEM READY or SYSTEM NOT READY as shown below:

BYPASS ZN 01  
FRONT DOOR

[User #] Represents the user number being deleted (2-6). Note: User number 1 cannot be deleted.

\* is the \* key from the keypad.

## **11. KEYPAD AUXILIARY CONDITIONS**

---

The system can also initiate three separate AUXILIARY conditions directly through the keypad. These conditions must be activated by your installer and can be initiated through simultaneous depression of two keys as follows:

<u>DESCRIPTION</u>	<u>KEYSTROKES</u>
Panic	* #
Fire	7 9
Aux.	1 3

For example, send a keypad panic by pressing the \* and # keys simultaneously. Ask your alarm installer about how this pertains to your system.

The XL4600SM keypad has keys for specially defined auxiliary functions. These functions are activated by simultaneously depressing two keys. NOTE: Consult your installer to determine the auxiliary functions of your system.

## **12. DURESS**

---

The system can send an emergency signal to the Central Station if you are forced to enter the premise. This feature can be programmed by your installer. If active, then user code #6 is the ambush code.

## **13. ARM-ONLY (MAID) CODE**

---

If selected by your installer, this permits user code #5 to only arm the system. This would allow a temporary user to activate the security system as they leave.

## **14. QUICK ARMING**

---

If selected by your installer, QUICK ARMING arms the system without entering a user code. Entering # 1 activates your system. NOTE: System disarming requires entry of a valid user code.

## **15. QUICK FORCED ARMING**

---

QUICK FORCED ARMING arms the system by pressing the # key followed by 2 and bypasses any burglary zones which are not ready. NOTE: System disarming will still require entry of a valid user code. NOTE: This feature is disabled on UL installations.



## **17. SYSTEM TESTING**

---

This control unit was manufactured under rigid quality standards and complies with all UL requirements for its intended use. Maintenance is best performed by your installing company with trained service personnel.

Installing Company: \_\_\_\_\_  
Telephone Number: \_\_\_\_\_

Test your system once a week using the following procedure:

**Note:** If your system is monitored by a Central Station then contact them prior to performing this test.

- 1- Arm your security system.
- 2- Activate the system by opening a zone (example, window, or door).
- 3- Confirm that the alarm sounding device (bell or siren) activates. If your system is connected to a Central Station then the keypad will emit a ringback sound to confirm that the signal was received.
- 4- Disarm the system to silence the system and return to normal status.

### **BATTERY TEST**

In order to test the backup battery the following procedure should be performed;

- 1- Remove the AC transformer from the AC outlet by removing the restraining screw which secures the transformer to the wall. (Note: the screw is not present in models sold in Canada).
- 2- Observe that the AC light goes off on the keypad.
- 3- Activate your alarm system using steps 1-4 listed above.
- 4- Replace the AC transformer to the AC outlet and secure using the retaining screw (Note: The retaining screw is not present in models sold in Canada).

The National Fire Protection Association publishes a standard for household fire warning equipment. N.F.P.A. #74. Further information can be obtained by contacting: NFPA Public Affairs Dept., Batterymarch Park, Quincy, MA 02269.

If you have any further questions about the operation of your system, call your installer.



## **WARNING LIMITATIONS OF THIS ALARM SYSTEM**

While this system is an advanced design security system, it does not offer guaranteed protection against burglary, fire or other emergency. Any alarm system, whether commercial or residential, is subject to compromise or failure to warn for a variety of reasons. For example:

- Intruders may gain access through unprotected openings or have the technical sophistication to bypass an alarm sensor or disconnect an alarm warning device.
- Intrusion detectors (e.g., passive infrared detectors), smoke detectors, and many other sensing devices will not work without power. Battery operated devices will not work without batteries, with dead batteries or if the batteries are not put in properly. Devices powered solely by AC will not work if their AC power supply is cut off for any reason, however briefly.
- Signals sent by wireless transmitters may be blocked or reflected by metal before they reach the alarm receiver. Even if the signal path has been recently checked during a weekly test, blockage can occur if a metal object is moved into the path.
- A user may not be able to reach a panic or emergency button quickly enough.
- While smoke detectors have played a key role in reducing residential fire deaths in the United States, they may not activate or provide early warning for a variety of reasons in as many as 35% of all fires, according to data published by the Federal Emergency Management Agency. Some of the reasons smoke detectors used in conjunction with this System may not work are as follows: Smoke detectors may have been improperly installed and positioned. Smoke detectors may not sense fires that start where smoke cannot reach the detectors, such as in chimneys, in walls, or roofs, or on the other side of closed doors. Smoke detectors may not sense a fire on another level of a residence or building. A second floor detector, for example, may not sense a first floor or basement fire. Moreover, smoke detectors have sensing limitations. No smoke detector can sense every kind of fire every time. In general, detectors may not always warn about fires caused by carelessness and safety hazards like smoking in bed, violent explosions, escaping gas, improper storage of flammable materials, overloaded electrical circuits, children playing with matches, or arson. Depending on the nature of the fire and/or the location of the smoke detectors, the detector, even if it operates as anticipated, may not provide sufficient warning to allow all occupants to escape in time to prevent injury or death.
- Passive Infrared Motion Detectors can only detect intrusion within the designed ranges as diagramed in their installation manual. Passive Infrared Detectors do not provide volumetric area protection. They do create multiple beams of protection, and intrusion can only be detected in unobstructed areas covered by the beams. They cannot detect motion or intrusion that takes place behind walls, ceilings, floors, closed doors, glass partitions, glass doors, or window. Mechanical tampering, masking, painting, or spraying of any material on the mirrors, windows or any part of the optical system can reduce their detection ability. Passive Infrared Detectors sense changes in temperature; however, as the ambient temperature of

## **SECURITY DIMENSIONS ONE YEAR LIMITED WARRANTY**

Security Dimensions, and Fire Burglary Instruments, Inc., a subsidiary of Pittway Corporation, and Pittway Corporation its divisions subsidiaries and affiliates ("Seller"), 163 Eileen Way, Syosset New York 11791, warrants its security equipment ("the product") to be free from defects in materials and workmanship for one year from the date of original purchase, under normal use and service. Seller's obligation is limited to repairing or replacing, at its option, free of charge for parts, labor, or transportation, any product proven to be defective in materials or workmanship under normal use and service. Seller shall have no obligation under this warranty or otherwise if the product is altered or improperly repaired or serviced by anyone other than Seller. In case of defect, contact the security professional who installed and maintains your security equipment or the Seller for product repair.

This one year Limited Warranty is in lieu of all other express warranties, obligations or liabilities. THERE ARE NO EXPRESS WARRANTIES, WHICH EXTEND BEYOND THE FACE HEREOF. ANY IMPLIED WARRANTIES, OBLIGATIONS OR LIABILITIES MADE BY SELLER IN CONNECTION WITH THIS PRODUCT, INCLUDING ANY IMPLIED WARRANTY OF MERCHANTABILITY, OR FITNESS FOR A PARTICULAR PURPOSE OR OTHERWISE, ARE LIMITED IN DURATION TO A PERIOD OF ONE YEAR FROM THE DATE OF ORIGINAL PURCHASE. ANY ACTION FOR BREACH OF ANY WARRANTY, INCLUDING BUT NOT LIMITED TO ANY IMPLIED WARRANTY OF MERCHANTABILITY, MUST BE BROUGHT WITHIN 18 MONTHS FROM DATE OF ORIGINAL PURCHASE. IN NO CASE SHALL SELLER BE LIABLE TO ANYONE FOR ANY CONSEQUENTIAL OR INCIDENTAL DAMAGES FOR BREACH OF THIS OR ANY OTHER WARRANTY, EXPRESS OR IMPLIED, OR UPON ANY OTHER BASIS OF LIABILITY WHATSOEVER, EVEN IF THE LOSS OR DAMAGE IS CAUSED BY THE SELLER'S OWN NEGLIGENCE OR FAULT.

Some states do not allow limitation on how long an implied warranty lasts or the exclusion or limitation of incidental or consequential damages, so the above limitation or exclusion may not apply to you. Seller does not represent that the product may not be compromised or circumvented; that the product will prevent any personal injury or property loss by burglary, robbery, fire or otherwise; or that the product will in all cases provide adequate warning or protection. Buyer understands that a properly installed and maintained alarm may only reduce the risk of a burglary, robbery, or fire or other events occurring without providing an alarm, but it is not insurance or a guarantee that such will not occur or that there will be no personal injury or property loss as a result. CONSEQUENTLY, SELLER SHALL HAVE NO LIABILITY FOR ANY PERSONAL INJURY, PROPERTY DAMAGE OR OTHER LOSS BASED ON A CLAIM THE PRODUCT FAILED TO GIVE WARNING. HOWEVER, IF SELLER IS HELD LIABLE, WHETHER DIRECTLY OR INDIRECTLY, FOR ANY LOSS OR DAMAGE ARISING UNDER THIS LIMITED WARRANTY OR OTHERWISE, REGARDLESS OF CAUSE OR ORIGIN, SELLER'S MAXIMUM LIABILITY SHALL NOT IN ANY CASE EXCEED THE PURCHASE PRICE OF THE PRODUCT, WHICH SHALL BE THE COMPLETE AND EXCLUSIVE REMEDY AGAINST SELLER. This warranty gives you specific legal rights, and you may also have other rights which vary from state to state. No increase or alteration, written or verbal, of the obligations of this Limited Warranty is authorized.

